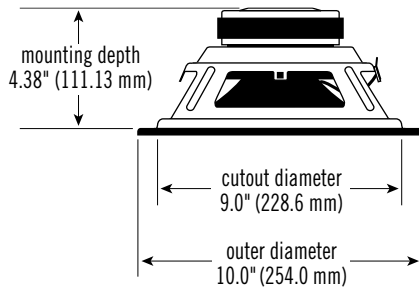


SPECIFICATIONS

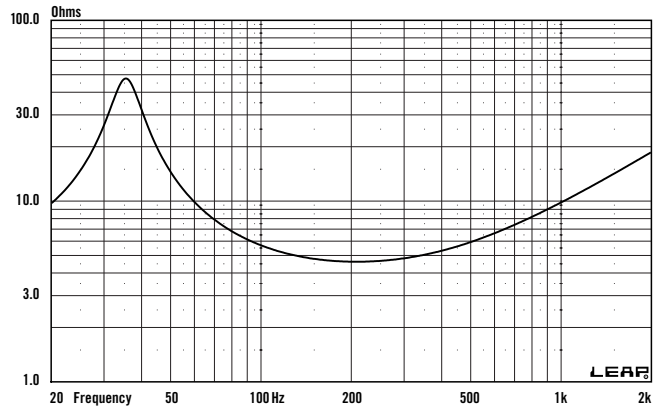
DIAMETER: 10" (254.0 mm)
 SENSITIVITY (2.83 V @ 1 m): 93 dB
 POWER HANDLING: 150 W_{RMS}
 FREQUENCY RESPONSE: 35 ~ 3,500 Hz
 NOMINAL IMPEDANCE: 4 OHMS
 VOICE-COIL DIAMETER: 1.5" (38.5 mm)
 DIMENSIONS:



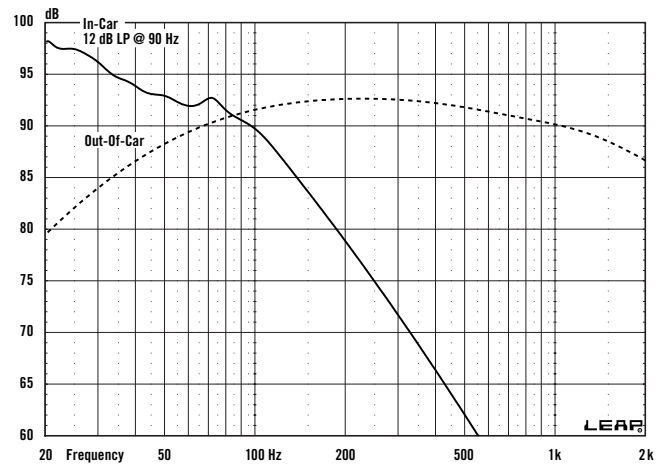
THIELE-SMALL PARAMETERS

VOICE COIL DC RESISTANCE: R_{EVC} (OHMS) 4.45
 VOICE COIL INDUCTANCE @ 1 kHz: L_{EVC} (MH) 1.46
 DRIVER RADIATING AREA: S_D (IN²) 54.48
 S_D (CM²) 353.00
 MOTOR FORCE FACTOR: BL (TM) 9.98
 COMPLIANCE VOLUME: V_{AS} (FT³) 3.15
 V_{AS} (LITERS) 74.38
 SUSPENSION COMPLIANCE: C_{MS} (µM/N) 420.35
 MOVING MASS, AIR LOAD: M_{MS} (GRAMS) 47.52
 MOVING MASS, DIAPHRAGM: M_{MD} (GRAMS) 43.71
 FREE-AIR RESONANCE: F_S (Hz) 35.61
 MECHANICAL Q: Q_{MS} 4.60
 ELECTRICAL Q: Q_{ES} 0.47
 TOTAL Q: Q_{TS} 0.43
 MAGNETIC-GAP HEIGHT: H_{AG} (IN) 0.24
 H_{AG} (MM) 6.00
 VOICE-COIL HEIGHT: H_{VC} (IN) 0.57
 H_{VC} (MM) 14.50
 MAXIMUM EXCURSION: X_{MAX} (IN) 0.17
 X_{MAX} (MM) 4.25

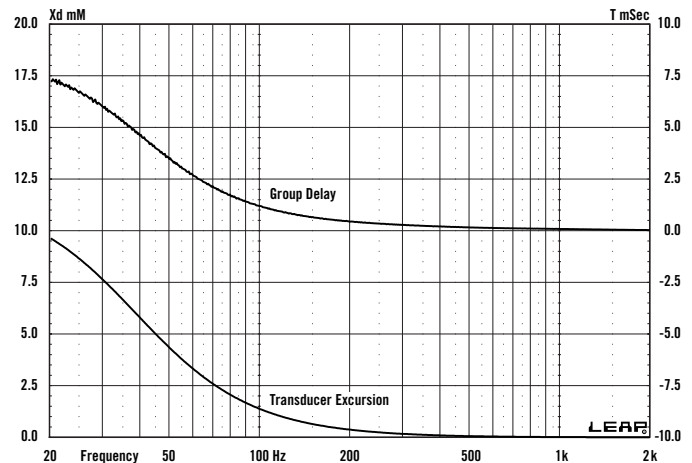
IMPEDANCE CURVE



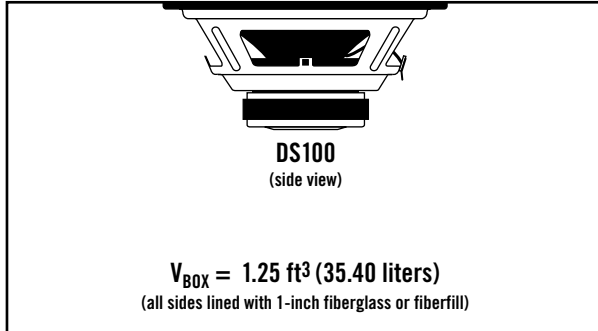
INFINITE Baffle FREQUENCY RESPONSE @ 2.83 V



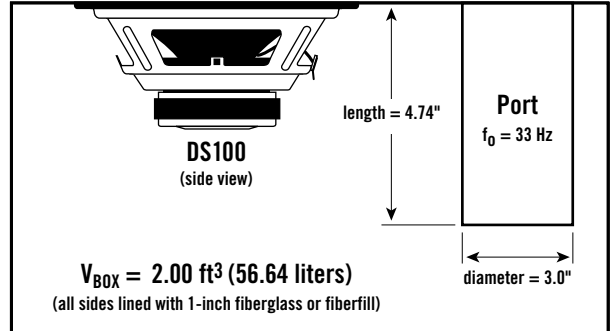
INFINITE Baffle EXCURSION/GROUP DELAY @ 35 W



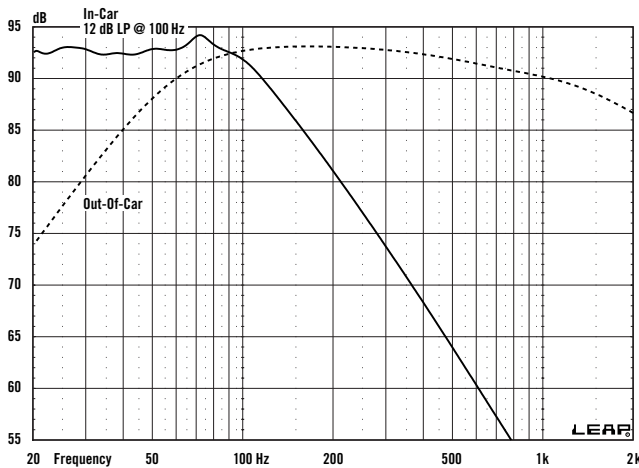
SEALED BOX VOLUME



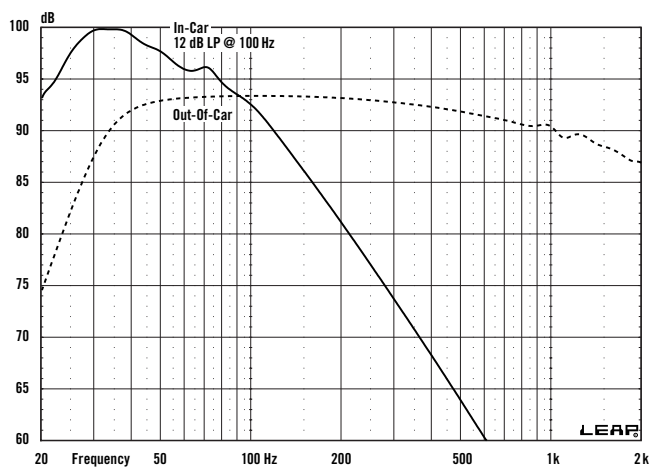
VENTED BOX VOLUME



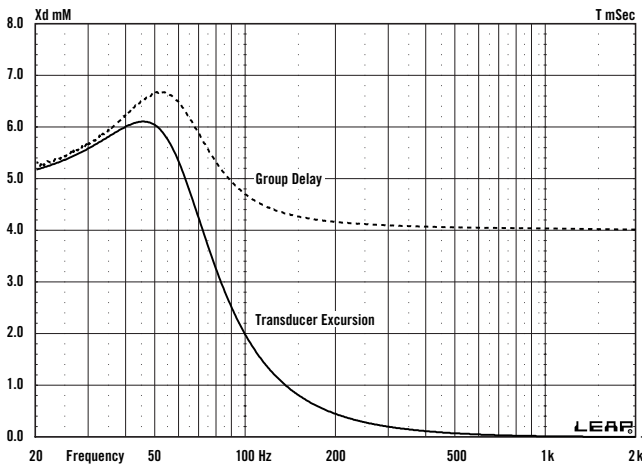
SEALED FREQUENCY RESPONSE @ 2.83 V



VENTED FREQUENCY RESPONSE @ 2.83 V



SEALED EXCURSION/GROUP DELAY @ 75 W



VENTED EXCURSION/GROUP DELAY @ 100 W

